



Low-pressure shock absorber IBV – RF (stainless steel) – CE Series

10 to 50 liter / 16 bar

OLD 0215

Design

Shock absorber with punched screen - Welded pressure vessel - All metal components in stainless steel - Robust gas valve - dismantlable.

Operating pressure

16 bar

Gas filling pressure P₀

Up to 80 % of the operating pressure, max. 16 bar.

Temperature range

Standard execution - 15° C to + 100° C
Other temperature ranges on request.

Hydraulic fluids

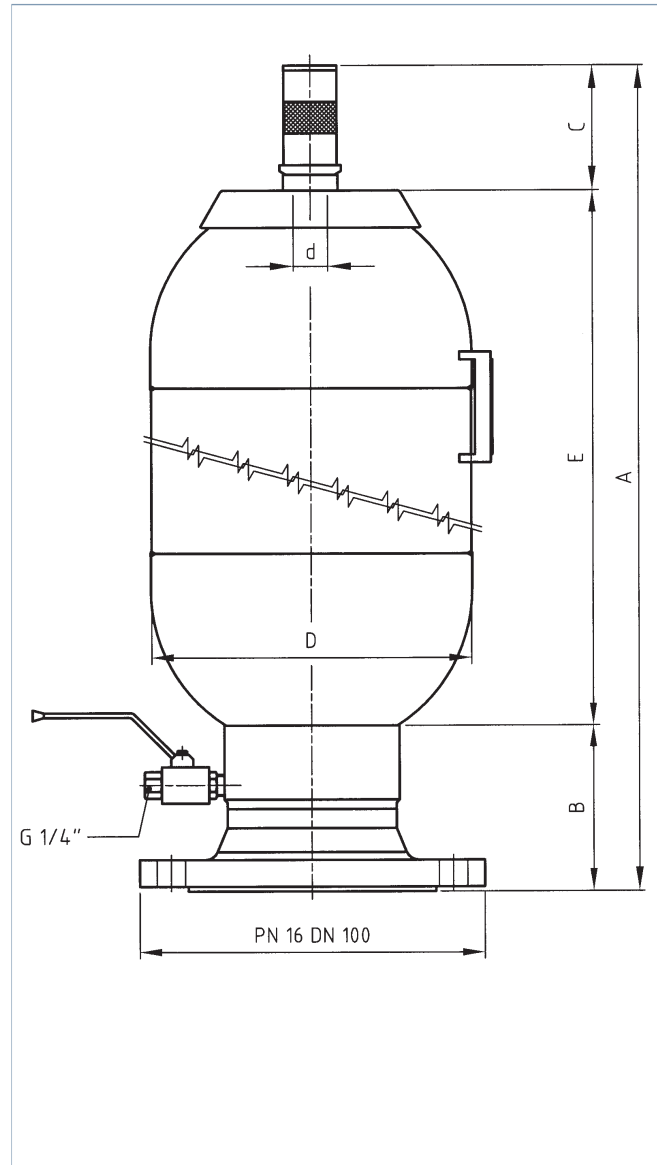
Water
Other media to be specified with the order.

Mounting position

Vertical (fluid connection directed downwards) to horizontal. Leave 200 mm above the gas valve for mounting the VGU tester and pressurizer.

Fastening

Clamps with rubber inserts.

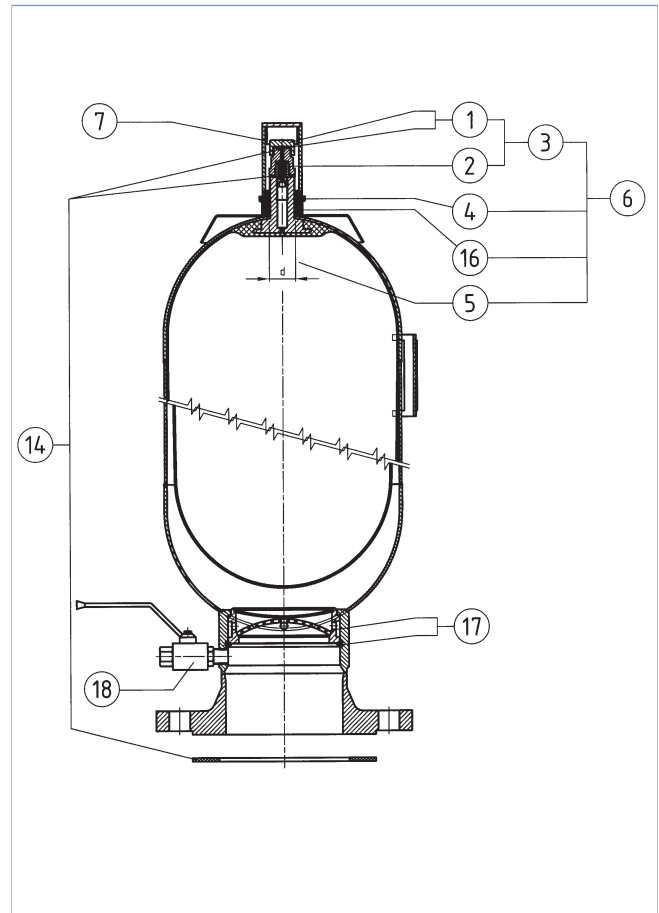


Type	Gas vol. V ₀ liter	Op. pressure bar	Mass kg	Q max. l/min	Dimensions in mm					
					A	B	C	ø D	ø d	E
IBV 10 - 16 / 90 - RF	8.5	16	12	900	524	105	80	206	22	339
IBV 20 - 16 / 90 - RF	18.2	16	16	900	855	105	80	206	22	670
IBV 32 - 16 / 90 - RF	34	16	22	900	1392	105	80	206	22	1207
IBV 50 - 16 / 90 - RF	50	16	29	900	1905	105	80	206	50	1720

Spare parts list

Model: IBV 10 – IBV 50

Pos.	Part	Recommended spare part
1	Cap nut with gasket	
2	Gas valve with gasket	
3	Gas valve complete	
4	Nut	
5a	Bladder $\varnothing = 22$ mm	
5b	Bladder $\varnothing = 50$ mm	
6a	Bladder complete $\varnothing = 22$ mm	x
6b	Bladder complete $\varnothing = 50$ mm	x
7	Protective cap	
14	Gasket set (containing all gaskets)	x
17	Punched screen with clamp- ing ring	
18	Ball valve	



Order example

- Complete bladder for IBV 50 – 16 – RF shock absorber position 6b.

OLD 0215 - 3.12.2010 ml