



Shock absorber Series DDA – CE

for waste water , with bladder / 100 bis 5000 litre / 12 bar

OLD 0720

Construction

Welded shell in clean steel plate all side to sand-blast-internal and external rust protection with different paint protective coats - DDA 100 - 2000 inside and outside powder-coated, DDA 3000 - 5000 inside painted 400 µm, outside painted standard RAL 9006, other RAL-paints on request - **butyl bladder** - gas valve - detachable. Other bladder materials, connection and complete execution in stainless steel on request.

System

The liquid circulates in the bladder and is only in contact with the bladder and flange connection.

Working pressure

12 bar

Precharge pressure P0

Up to 80% of the minimal working pressure, max. 6 bar.

Temperature range

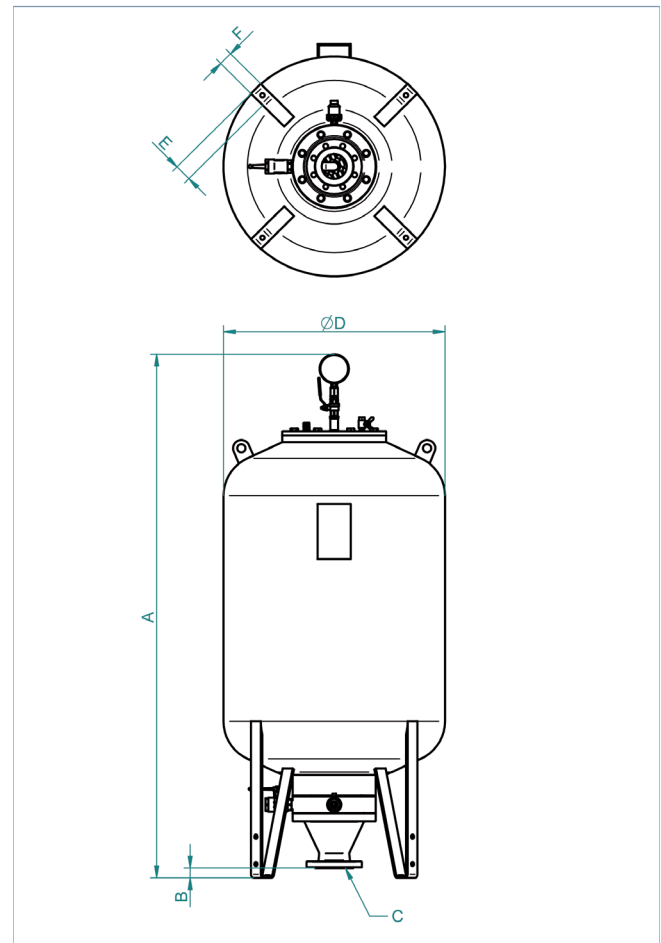
Standard execution - 0°C to + 80°C
Other ranges on request.

Pressure liquids

Waste water.
Other liquids should be specified with the order.

Mounting / mounting instruction

Vertical on 4 legs.
Leave a free space of 1000 mm over the manhole for removal and installation of the bladder.



Accessories

Digital-Level indicator see data sheet OLD 1120 in chapter 11 "Accessories".

Typ	Gasvol. V0 litre	Weight kg	Dimensions in mm				Possible connections C in PN 16 straight or T-piece	Size B straight	Size B T-piece
			A	D	E	F			
DDA 100 – 12 / 90	106	101	1275	510	54	50	DN 50 / DN 80 / DN 100	B = 35 - 45mm	on request
DDA 200 – 12 / 90	208	128	1795	510	54	50	DN 50 / DN 80 / DN 100	B = 35 - 45mm	
DDA 300 – 12 / 90	315	225	1895	600	54	50	DN 80 / DN 100 / DN 125 / DN 150	B = 35 - 45mm	
DDA 500 – 12 / 90	519	280	1825	800	54	50	DN 80 / DN 100 / DN 125 / DN 150	B = 35 - 45mm	
DDA 750 – 12 / 90	774	355	2035	900	54	50	DN 80 / DN 100 / DN 125 / DN 150	B = 35 - 45mm	
DDA 1000 – 12 / 90	1029	431	2445	900	100	100	DN 80 / DN 100 / DN 125 / DN 150	B = 35 - 45mm	
DDA 1500 – 12 / 90	1550	685	2610	1100	100	100	DN 150 / DN 200 / DN 250	B = 35 - 45mm	
DDA 2000 – 12 / 90	2050	804	3145	1100	100	100	DN 150 / DN 200 / DN 250	B = 35 - 45mm	
DDA 3000 – 12 / 90	3075	1190	3345	1300	100	100	DN 150 / DN 200 / DN 250	B = 35 - 45mm	
DDA 4000 – 12 / 90	4100	1390	3375	1500	150	150	DN 150 / DN 200 / DN 250	B = 35 - 45mm	
DDA 5000 – 12 / 90	5120	1605	3955	1500	150	150	DN 150 / DN 200 / DN 250	B = 35 - 45mm	

In accordance with PED 97/23/EG, CE marked

Additional approvals on request

Manufacturer's tolerances not taken into account

Subject to alterations

OLD 0720 - 13.8.2010 io

OLAER (SCHWEIZ) AG
Bonnstrasse 3, CH - 3186 Dürdingen
Tel. 026 492 70 00, Fax 026 492 70 70
info@olaer.ch
www.olaer.ch

OLAER Austria GmbH
Wachtelstrasse 25, A - 4053 Haid
Tel. +43 7229 803 06, Fax +43 7229 803 06 21
info@olaer.at
www.olaer.at

OLAER CZ s.r.o.
Vídenská 125, CZ - 61900 Brno
Tel. +420 547 125 601 11, Fax +420 547 125 600
info@olaer.cz
www.olaer.cz

OLAER (SCHWEIZ) AG
Magyarországi Fióktelepe
Sugár út 5/1 H - 2500 Esztergom
Tel. +36 (70) 943 8114, Fax +36 (33) 319 954
zsolt.spendel@olaer.hu www.olaer.hu