



SERIES CBA

HAND MOUNTING

Air breathers with threaded connection, zinc plated body and chrome plated cap.

Air filter element (not replaceable):
cellulose 3µm
polyurathan 10µm

SERIES CBB

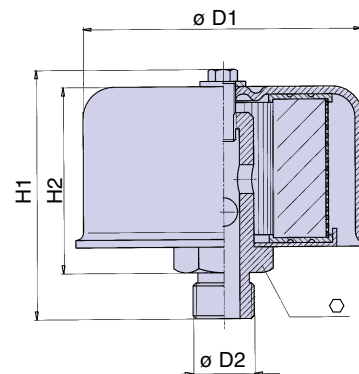
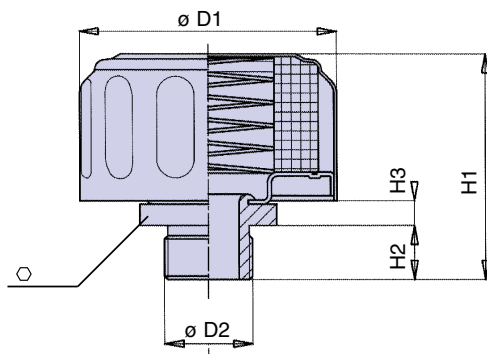
REPLACEABLE ELEMENT

Air breathers with threaded connection by zinc plated steel.

Replaceable filter element, by cellulose 10µm.

SERIES CBA - HAND MOUNTING

SERIES CBB - REPLACEABLE ELEMENT



DIMENSIONS

ACCESSORIES

	Filtr. µm	Flow rate (l/min)	D1	D2	○	H1	H2	H3	kg	Spare element
CBA11B02CC	3	150	47	1/4" BSP	19	45	12	7	-	-
CBA11B02PE	10	300	47	1/4" BSP	19	45	12	7	-	-
CBA21B06CC	3	450	76	3/4" BSP	35	66	16	7	-	-
CBA21B06PE	10	750	76	3/4" BSP	35	66	16	7	-	-
CBB11M12CD	10	200	60	M12 x 1,5	17	56	43	-	0,16	EBB11CD
CBB11B03CD	10	200	60	3/8" BSP	22	56	43	-	0,16	EBB11CD
CBB11B02CD	10	200	60	1/4" BSP	22	56	43	-	0,16	EBB11CD
CBB21M16CD	10	500	82	M16 x 1,5	22	71	53	-	0,30	EBB21CD
CBB21B04CD	10	500	82	1/2" BSP	24	71	53	-	0,30	EBB21CD
CBB21B06CD	10	500	82	3/4" BSP	32	71	53	-	0,30	EBB21CD
CBB31B08CD	10	500	115	1" BSP	40	100	76	-	0,30	EBB31CD